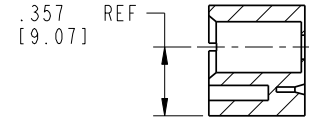


Tous droits strictement réservés. Reproduction ou communication o des liers interdite sous quelque forme que ce soit sans autorisation écrite du propriétaire. Propriété de c FCI. Droits de reproduction FCI.

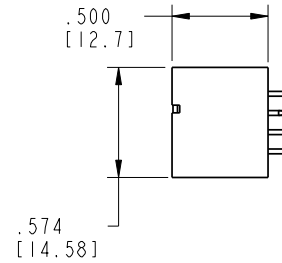
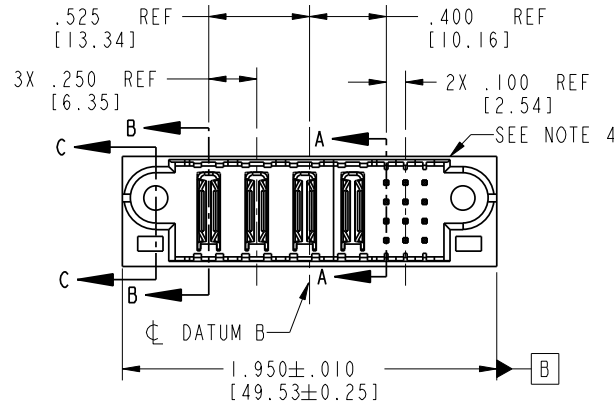
All rights strictly reserved. Reproduction or issue to third parties in any form whatever is not permitted without written authority from the proprietor. Property of FCI. Copyright FCI.

FCI

PRODUCT NO. 51712-002-- NOTE: 3	ROWS DCBA	POWER				SIGNAL			E2
		E1	P1	P2	P3	P4	1	2	



SECTION C-C



CODE	DIM "M" MATING LENGTH	CONTACT TYPE
E	.270 [6.86]	SIGNAL
PA	N/A [N/A]	POWER
H	.220 [5.59]	SIGNAL

mat'l code				SEE NOTE 2		tolerances unless otherwise specified		CUSTOMER		 www.fciconnect.com	
lir	ecp no.	dr	date	linear	.XX±.01/0.XX±0.3		COPY		projection	title	
A	V20184	DA1	01/28/02		.XXX±.005/0.XX±0.13		projection			VERTICAL HEADER w/GUIDE PIN	
B	V21104	TAB	09/30/02		.XXX±.002/0.XXX±0.051		projection			POWER SIGNAL SPECIAL	
C	DG05-0389	GuoJM	10/13/05	angles	0°±2°		INCH/MM		product family		
				dr	D. INGRAM	01/28/02	scale		PwrBlade		code
				enr	M. MOSTOLLER	01/28/02	1:1		size		213
				chr	M. MOSTOLLER	01/28/02	A		51712-002		sheet
				appd	M. MOSTOLLER	01/28/02					1 of 4
sheet index	revision sheet	C	C	C	C	C					
		1	2	3	4						

Pro/E

PDM: Rev: C

STAT **Released**

Printed: Aug 12, 2007

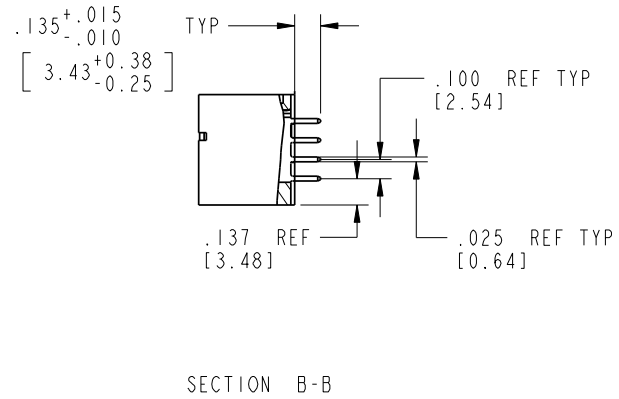
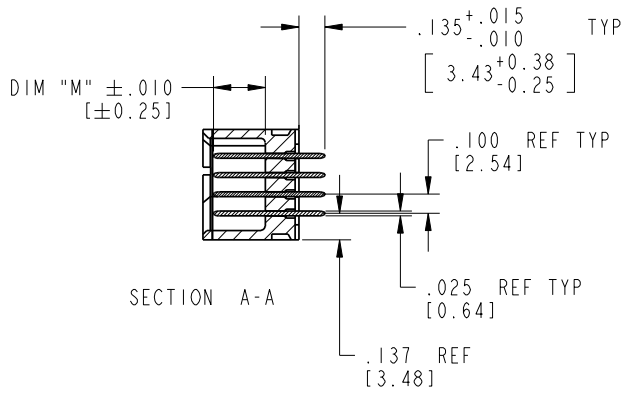
Tous droits strictement réservés. Reproduction ou communication o des liers interdite sous quelque forme que ce soit sans autorisation écrite du propriétaire. Propriete de c FCI. Droits de reproduction FCI.

All rights strictly reserved. Reproduction or issue to third parties in any form whatever is not permitted without written authority from the proprietor. Property of FCI. Copyright FCI.



PRODUCT NUMBER

51712-002--
NOTE: 3



mat'l code		SEE NOTE 2		tolerances unless otherwise specified		CUSTOMER		 www.fciconnect.com	
lir	ecn no.	dr	date	linear	.XX±.01/0.X±0.3	COPY		title	
c					.XXY±.005/0.XX±0.13	projection		VERTICAL HEADER w/GUIDE PIN POWER SIGNAL SPECIAL	
				angles	.XXX±.0020/0.XXX±0.051	 INCH/MM		product family	
				dr	D. INGRAM 01/28/02	scale		PwrBlade	
				enr	M. MOSTOLLER 01/28/02	1:1		code	
				chr	M. MOSTOLLER 01/28/02			size	
				appd	M. MOSTOLLER 01/28/02			dwg no	
sheet index		revision sheet						A 51712-002	
								213	
								sheet	
								?	

Pro/E

PDM: Rev: C

STAT: 22556

Printed: Aug 12, 2007

Tous droits strictement réservés. Reproduction ou communication o des liers interdite sous quelque forme que ce soit sans autorisation écrite du propriétaire. Propriete de c FCI. Droits de reproduction FCI.

FCI

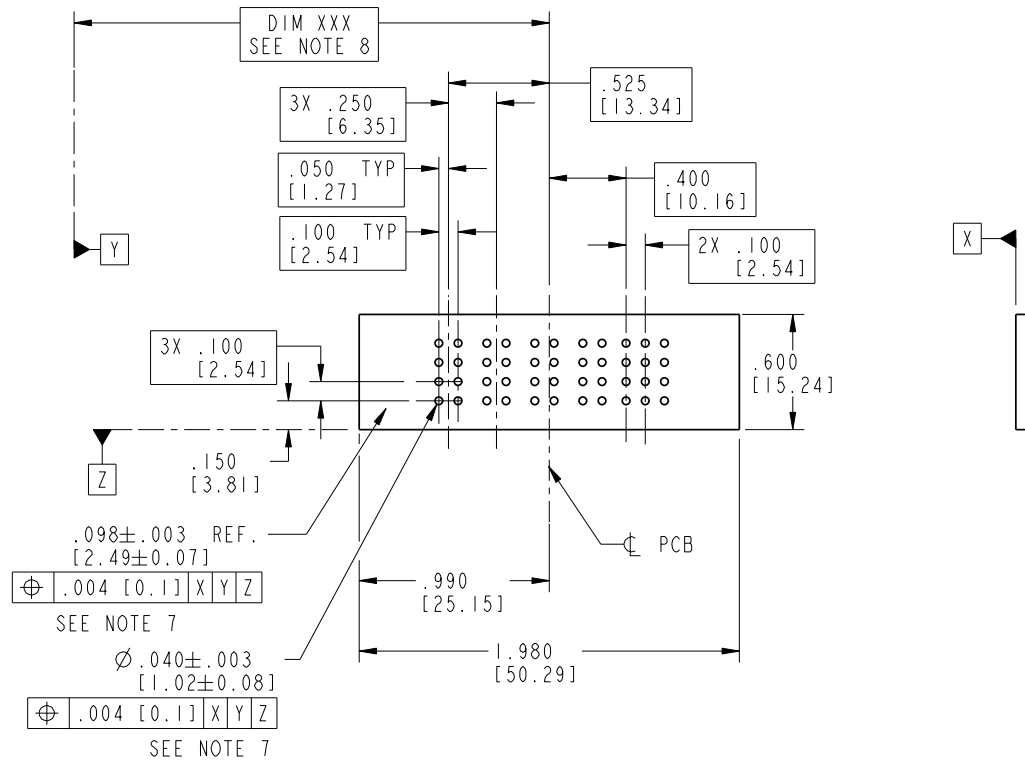
All rights strictly reserved. Reproduction or issue to third parties in any form whatever is not permitted without written authority from the proprietor. Property of FCI. Copyright FCI.

PRODUCT NUMBER
51712-002--
NOTE: 3

1 | 2

3 |

4



SEE NOTE 7
 $\oplus .004 [0.1] | X | Y | Z$
 $\phi .040 \pm .003 [1.02 \pm 0.08]$
 $\oplus .004 [0.1] | X | Y | Z$
 SEE NOTE 7

mat'l code				SEE NOTE 2		tolerances unless otherwise specified		CUSTOMER		 www.fciconnect.com	
lir	ecn no.	dr	date	linear	.XX±.01/0.X±0.3	projection	COPY		title		
c				angles	.XXX±.005/0.XX±0.13				VERTICAL HEADER w/GUIDE PIN POWER SIGNAL SPECIAL		
				dr	.XXX±.0020/0.XXX±0.051	$0^\circ \pm 2^\circ$	INCH/MM		product family		code
				enr	D. INGRAM 01/28/02		scale		PwrBlade		213
				chr	M. MOSTOLLER 01/28/02		1:1		size dwg no		sheet
				appd	M. MOSTOLLER 01/28/02				A 51712-002		3
sheet index	revision sheet										

A

A

B

B

1 | 2

Pro/E

PDM: Rev: C

STAT **US: Released**

Printed: Aug 12, 2007

PRODUCT NUMBER

51712-002__
NOTE: 3

NOTES:

1. DIMENSIONS AND TOLERANCES ARE IN ACCORDANCE WITH ASME Y14.5M, 1994 UNLESS OTHERWISE SPECIFIED.

CONNECTORS NOTES:

2. HOUSING MATERIAL: UL 94 V-0 GLASS FILLED HIGH TEMP THERMO PLASTIC
POWER CONTACT MATERIAL: COPPER ALLOY
SIGNAL PIN MATERIAL: COPPER ALLOY

3. PLATING:

51712-002 Singal Pin:30u"/0.76um Au OVER 50u"/1.27um Ni ON THE CONTACT AREA,
AND 100u"/2.54um SnPb PLATING OVER 50u"/1.27um Ni ON THE TERMINATION SECTION.
Power Pin:30u"/0.76um Au OVER 50u"/1.27um Ni ON THE CONTACT AREA,
AND 100u"/2.54um SnPb PLATING OVER 50u"/1.27um Ni ON THE TERMINATION SECTION.

51712-002LF Singal Pin:30u"/0.76um Au OVER 50u"/1.27um Ni ON THE CONTACT AREA,
AND 78u"/2.00um Sn PLATING OVER 50u"/1.27um Ni ON THE TERMINATION SECTION.
Power Pin:30u"/0.76um Au OVER 50u"/1.27um Ni ON THE CONTACT AREA,
AND 78u"/2.00um Sn PLATING OVER 50u"/1.27um Ni ON THE TERMINATION SECTION.

PART NUMBER 51712-002LF MEETS EUROPEAN UNION DIRECTIVE AND IOTHER COUNTRY REGULATIONS AS DESCRIBED IN GS-22-008.

THE HOUSING WILL WITHSTAND EXPOSURE TO 260° PEAK TEMPERATURE FOR 10 SECONDS IN A WAVE SOLDER APPLICATION WITH A CIRCUIT BOARD.

4. "MANUFACTURER" NAME, P/N, AND DATE CODE TO APPEAR ON THIS SURFACE.


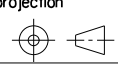
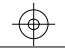
5. PRODUCT SPECIFICATION GS-12-149.

PCB - NOTES:

6. ALL HOLE DIAMETERS ARE FINISHED HOLE SIZE.

7. Ø.0453±0.0010 [1.151±0.025] DRILLED HOLES PLATED WITH 0.0003 [0.008] MIN SnPb OVER .001 [0.03] TO .003 [0.08] Cu PLATING TO ACHIEVE Ø.040±.003 [1.02±.07] HOLE.

8. "DIM XXX" TO BE DETERMINED BY THE CUSTOMER.

mat'l code				SEE NOTE 2		tolerances unless otherwise specified		CUSTOMER		 www.fciconnect.com	
lir	ecn no.	dr	date	linear	.XX±.01/0.X±0.3		COPY		 INCH/MM	title	
C					.XXX±.005/0.XX±0.13		projection			VERTICAL HEADER w/GUIDE PIN POWER SIGNAL SPECIAL	
					.XXX±.0020/0.XXX±0.051		 scale			product family	
				angles	0°±2°		1:1		PwrBlade		
				dr	D. INGRAM 01/28/02				code		
				engr	M. MOSTOLLER 01/28/02				213		
				chr	M. MOSTOLLER 01/28/02				sheet		
				appd	M. MOSTOLLER 01/28/02				4		
sheet index	revision sheet								A 51712-002		

Tous droits strictement reserves. Reproduction ou communication a des tiers interdite sous quelque forme que ce soit sans autorisation ecrite du proprietaire. Propriete de c FCI. Droits de reproduction FCI.

FCI

All rights strictly reserved. Reproduction or issue to third parties in any form whatever is not permitted without written authority from the proprietor. Property of FCI. Copyright FCI.

A

B

A

B